

结构特点 Design features

- 内装、单端面、多弹簧、平衡型、螺钉传动结构，任意旋向，压力均匀，结构紧凑，安装方便；
- 安装尺寸符合JB/T 1472-1994标准。
- Internally mounted, single face, multi-spring, balanced structure and driven by screw, any rotation direction. It can be mounted conveniently.
- Conform to the standard of JB/T1472-1994

材料 Materials(to DIN24960)

- 旋转环 Rotary Ring: U12、U22、Q22
- 静止环 Stationary Ring: B、U12、U22、Q2、Q22
- 辅助密封 Auxiliary Seal: P、E、V、T1
- 弹簧及其他结构件材料 Spring and Other Parts: F、G

适用范围 Operating limits

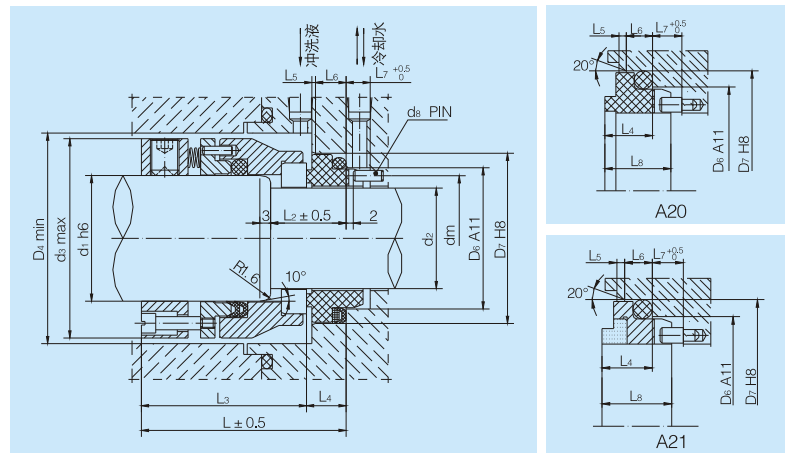
- 压力 Pressure: 0.6~3.0MPa
- 温度 Temperature: -20~200°C
- 线速度 Speeds: ≤ 13m/sec

用途 Applications

用于化工、石油化工、炼油、制冷、制药、造纸、给排水、污水处理等工业的泵类、反应釜、压缩机等类似的旋转轴密封。Used in all types of rotating equipment, pumps, mixers, agitators and compressors. to suit industries such as general chemical, oil refining, petrochemical, pharmaceutical, food processing, pulp and paper, and waste water treatment.

介质 Medium

油类、水、盐、非结晶性溶剂、有机溶剂及其它弱腐蚀性溶液。Oil, water, salt, noncrystalline agent, organic solvents and other weak corrosive fluid.



型号 Model	d1	d2	d3	D4	D6	D7	d8	dm	L	L2	L3	L4	L5	L6	L7	L8
CN 105B-35	35	28	57	60	45	55	3	37	62	24	48	14	2.0	6.5	8	19
CN 105B-40	40	34	62	65	50	60	3	42	62	24	48	14	2.0	6.5	8	19
CN 105B-45	45	38	67	70	55	65	3	47	63	24	49	14	2.0	6.5	8	19
CN 105B-50	50	44	72	75	60	70	3	52	63	24	49	14	2.5	6.5	8	19
CN 105B-55	55	48	77	80	65	75	3	57	63	24	49	14	2.5	6.5	8	19
CN 105B-60	60	52	82	85	70	80	3	62	63	24	49	14	2.5	6.5	8	19
CN 105B-65	65	58	91	95	80	90	3	70	68	27	51	17	2.5	6.5	8	22
CN 105B-70	70	62	96	100	85	97	3	74	73	32	54	19	2.5	7.5	9	25
CN 105B-75	75	66	101	105	90	102	3	79	73	32	54	19	2.5	7.5	9	25
CN 105B-80	80	72	106	110	95	107	3	84	73	32	54	19	3.0	7.5	9	25
CN 105B-85	85	76	111	115	100	112	3	89	75	32	56	19	3.0	7.5	9	25
CN 105B-90	90	82	116	120	105	117	3	94	75	32	56	19	3.0	7.5	9	25
CN 105B-95	95	85	121	125	110	122	3	99	75	32	56	19	3.0	7.5	9	25
CN 105B-100	100	90	126	130	115	127	3	104	75	32	56	19	3.0	7.5	9	25
CN 105B-110	110	100	140	145	130	142	3	116	84	36	63	21	3.0	8.0	9	27
CN 105B-120	120	110	150	155	140	152	3	126	84	36	63	21	3.0	8.0	9	27